



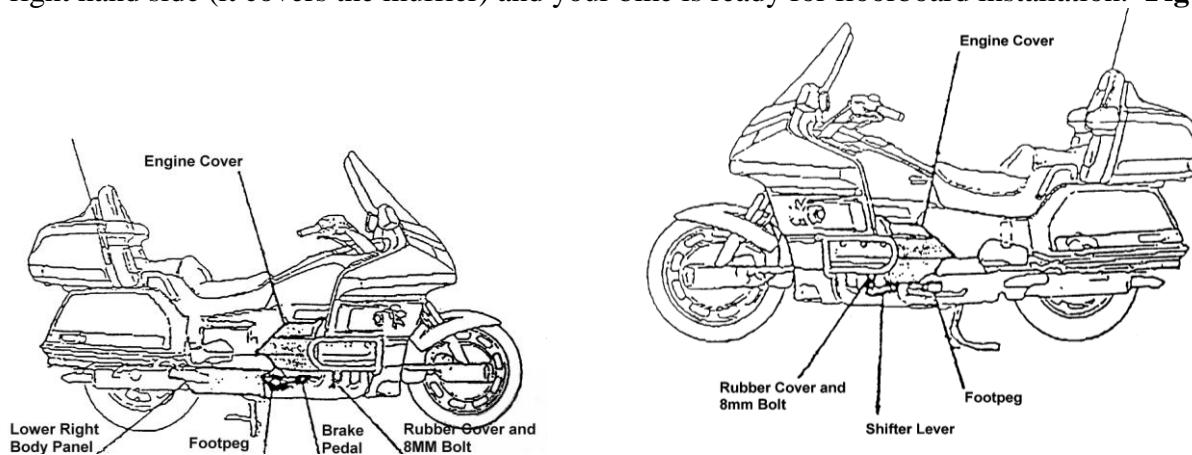
**MOUNTING INSTRUCTIONS  
FOR  
15393-545A1 LOWBOY DRIVER FLOORBOARDS  
READ INSTRUCTION THOROUGHLY BEFORE INSTALLING**

Qty Description Qty Description

2	8 -1.25 x 9mm Hex head cap screw, chrome	1	Rear mount lug LH, BPC
3	5/16" SAE flat washer, chrome	1	Rear mount lug RH, BPC
4	5/16" split lock washer, plated	1	Shift linkage rod assembly
1	21/64 x 3/4 x 2 1/16" spacer, plated	4	1/4-20 x 1" socket head cap screw, plated
1	21/64 x 3/4 x 2 1/4" spacer, plated	4	1/4 - 20 hex half nylock nut, plated
2	Guard hanger bracket, plated	1	1/4 - 20 x 3/8" cup point set screw, nylon pellet
2	12 x 1.75 x 20mm socket head cap screw, plated	1	1/8" hex key
1	Rod end rubber boot	1	3/16" hex key
2	8 - 2/.25 x 35mm socket head cap screw, plated	2	5/16 - 18 hex half nylock nut, plated
1	Shifter bell crank weldment, chrome	1	LH floorboard support assembly
2	5/16" - 18 x 7/8" button socket cap screw, chrome	1	RH floorboard support assembly
1	Brake pedal weldment, chrome	1	Left & right chrome floorboard assembly

**Note:** Floorboards were designed to tuck in closely to the frame but bear in mind that all floorboards, by their very nature, reduce cornering clearance and that riding style and suspension settings should be modified accordingly. **Read instructions thoroughly before installing.**

1. Place bike on center stand.
2. Remove the engine covers, the foot pegs, the brake pedal and shift lever per service manual instructions. Remove the rubber covers that fit around the engine guard's support tube on each side and then remove the 8mm bolt that fastens the support tube to the frame. Remove the lower rear body panel on the right hand side (it covers the muffler) and your bike is ready for floorboard installation. **Figure 1**



Right Side

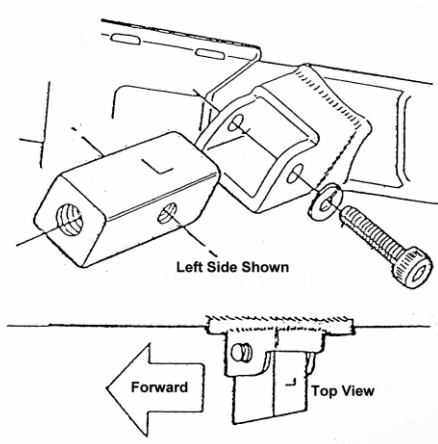
Figure 1

Left Side

**MOUNTING INSTRUCTIONS FOR  
15393-545A1 LOWBOY DRIVER FLOORBOARDS**

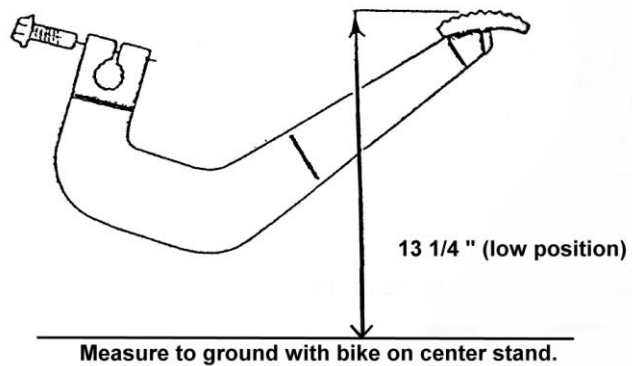
3. Install the left and right rear mount lugs as shown in **figure 2**, using the 8 x 35mm Allen bolts and 5/16" lock washers. Leave these screws loose for now.

Figure 2



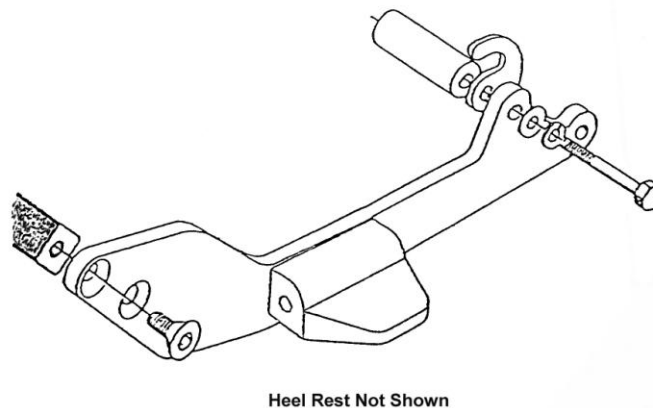
4. Install the brake pedal on the stock shaft as shown in **figure 3**, using the stock brake pedal bolt. Tighten this bolt securely.

Figure 3



5. Install the right hand support on the bike as shown in **figure 4** using with the short (2 1/16") spacer, hanger bracket, 8 x 90mm bolt and 5/16" lock and flat washers provided. Then attach the guard hanger bracket hooks around the guard tube and 12mm flathead screw at the rear mount. Start the threads on both fasteners and then securely tighten both. At this time, securely tighten the 8 x 35mm Allen bolt that secures the rear lug to the frame.

Figure 4



**MOUNTING INSTRUCTIONS FOR  
15393-545A1 LOWBOY DRIVER FLOORBOARDS**

6. Install the shifter bell crank on the stock shift using the provided 1/4" set screw and hex key. Tighten the set-screw securely. See **figure 5**.

7. Install the left hand support on the bike as shown in **figure 6** using the same assortment of fasteners as the right's support. Start both fasteners and then securely tighten both once again. Tighten the 8 – 1.25 X 35mm Allen bolt on the rear lug now

Figure 5

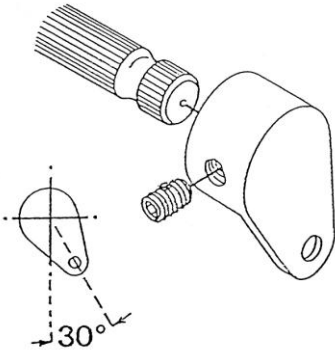
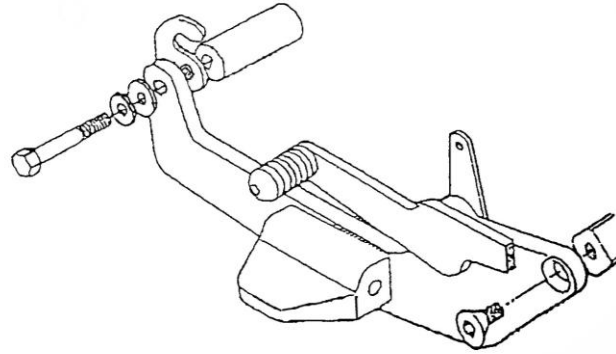


Figure 6



8. Unscrew one end of the shift linkage rod and then slide the linkage cover onto the shaft. **Figure 7**. Assemble the linkage rod, leaving the jam nuts loose for now. Fasten the linkage rod to the bell crank and the shift lever as shown in **figure 8**, using the 5/16" x 7/8" Allen bolts and hex half nylock nuts. Tighten these two bolts securely.

Figure 7

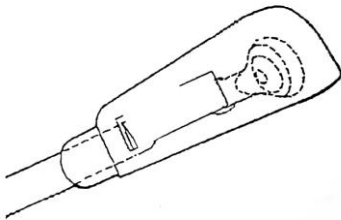
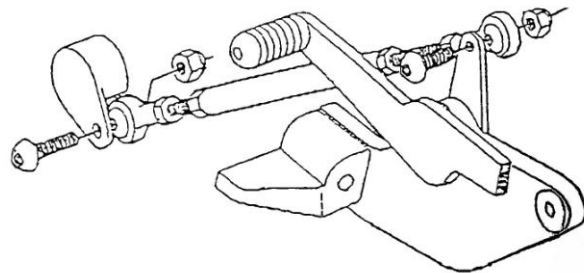


Figure 8



9. Install the left and right floorboards on the supports as shown in **figure 9** using the 1/4 x 1" Allen bolts and hex half nylock nuts. Tighten these bolts so the boards pivot with just a little pressure.

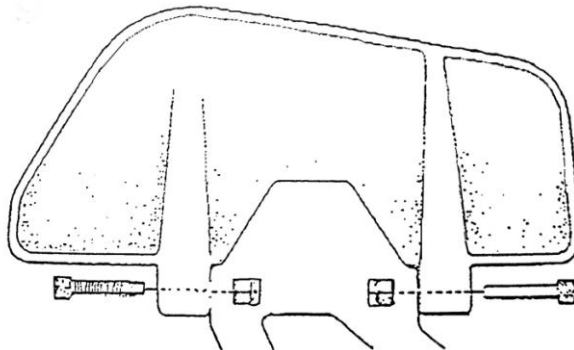


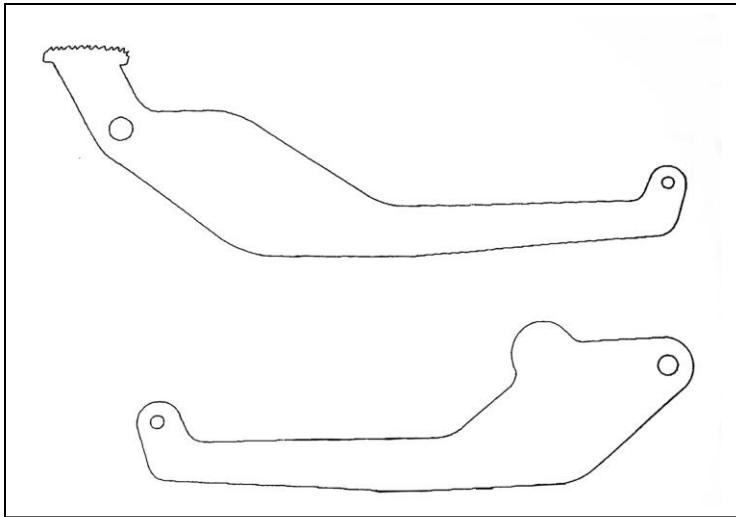
Figure 9

Slide the nylonlock nuts into the slots.

**MOUNTING INSTRUCTIONS FOR  
15393-545A1 LOWBOY DRIVER FLOORBOARDS**

10. Adjust the shifter up or down to suit your preference by turning the linkage rod. When satisfied, tighten the jam nuts at either end and then slide the rubber cover over the rod end and fastening bolt.

**Note:** After adjusting the shifter, make sure the lever does not bottom out on the floorboard before completing its travel.



Brake Mount (Top) Shifter Mount (Bottom)



Shifter Side



Brake Side

11. Reinstall the left and right engine covers and the muffler cover and then double check all nuts and bolts for tightness. Installation is now complete.

**NOTE:** On high mileage motorcycles with excessive shifter play, it may be necessary to remove one lock nut from shifter linkage to bring the shifter linkage to its minimum length. This will prevent forward shifter pad from contacting cam cover.



Normal Linkage



Shortened Linkage

## SUPPLEMENTAL

### MOUNTING INSTRUCTIONS FOR 15393-545A1 LOWBOY DRIVER FLOORBOARDS

**READ INSTRUCTION THOROUGHLY BEFORE INSTALLING**

**NOTE:** On high mileage motorcycles with excessive shifter play, it may be necessary to remove one lock nut from shifter linkage to bring the shifter linkage to its minimum length. This will prevent forward shifter pad from contacting cam cover.



Normal Linkage



Shortened Linkage

When installing front shifter pad, place the flat washer between shifter arm and shifter pad bracket. The shifter pad bracket is designed to allow the pad to swivel to the contour of the valve cover.

