

BIG BIKE PARTS® INSTALLATION INSTRUCTIONS

PART NO. 2-294

REAR SPEAKER KIT
HONDA GOLDWING GL1500/6

Copyright© 2007 by Big Bike Parts, Inc. No part of this instruction sheet may be reproduced without the written permission of Big Bike Parts, Inc.

07/26/07

TOOLS REQUIRED:

6MM HEX ALLEN WRENCH
10MM WRENCH

#2 MEDIUM PHILLIPS SCREWDRIVER
CENTER PUNCH

FLAT BLADE SCREWDRIVER
HAMMER

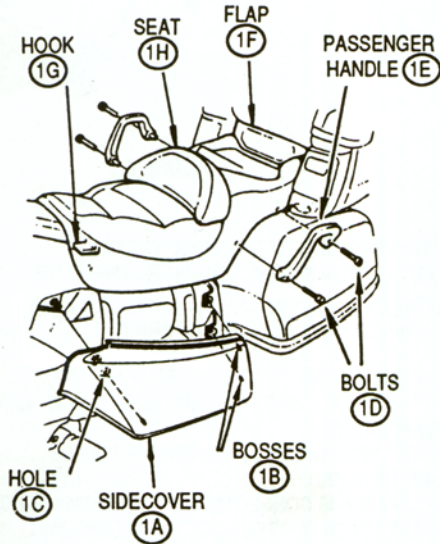


FIGURE #1

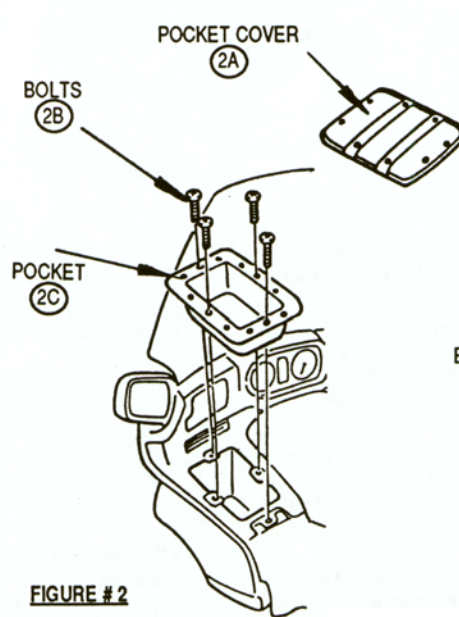


FIGURE #2

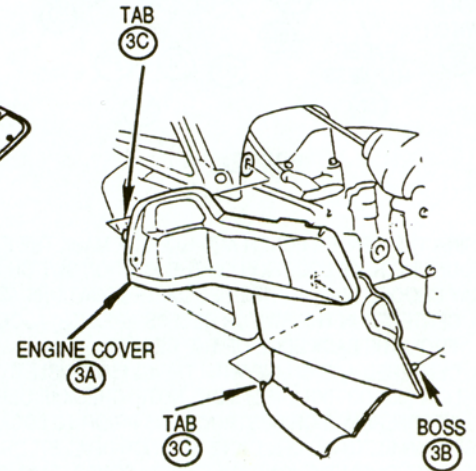


FIGURE #3

INSTALLATION:

1. REMOVE THE FOLLOWING ITEMS:

- A. REMOVE THE LEFT SIDE COVER (1A) BY GRASPING AT THE FRONT AND PULLING SHARPLY OUTWARD TO DISENGAGE THE THREE BOSSES (1B) AND THE RUBBER HOLE (1C) FROM THE FRAME.
- B. USING A 6MM HEX ALLEN WRENCH, REMOVE THE FOUR SOCKET BOLTS (1D) AND THE LEFT AND RIGHT PASSENGER HAND GRIPS (1E).
- C. GRASP THE SEAT CUSHION REAR FLAP (1F) AND PULL UPWARDS TOWARD THE REAR TO DISENGAGE THE SEAT FRONT HOOK (1G). REMOVE THE SEAT (1H) AND SET ASIDE CAREFULLY.
- D. UNSNAP AND REMOVE THE FAIRING LEFT HAND POCKET COVER (2A).
- E. USING A #2 MEDIUM PHILLIPS SCREWDRIVER, REMOVE THE FOUR SCREWS (2B) AND THE L/H POCKET (2C).
- F. REMOVE THE LEFT SIDE ENGINE COVER (3A) BY GRASPING AT THE REAR END AND PULLING SHARPLY OUTWARDS AND TOWARD THE REAR TO DISENGAGE THE BOSS (3B) AND THE TWO TABS (3C).
- G. USING A FLAT BLADE SCREWDRIVER, PRY OFF THE L/H SCREW COVER (4A) FROM THE L/H LOWER FAIRING CORNER MOLDING TRIM (4B).
- H. USING A #2 MEDIUM PHILLIPS SCREWDRIVER, REMOVE THE SCREW (4C) AND L/H LOWER FAIRING CORNER MOLDING TRIM (4B).
- I. REMOVE THE L/H COWL TRIM MOLDING (4D) BY PULLING OUTWARD.
- J. REMOVE THE IGNITION SWITCH COVER (4E) BY GRASPING UNDER BOTH SIDES NEAR THE REAR AND PULLING SHARPLY UPWARDS AND TOWARDS THE REAR.
- K. OPEN THE FUEL TANK ACCESS DOOR (4F) AND RELEASE THE LEVERS (4G) LOCATED ON EITHER SIDE. USING A 10MM WRENCH, REMOVE THE TWO ACORN NUTS (4H) AT THE REAR OF THE TOP SHELTER. WITH THE HANDLEBARS STRAIGHT AHEAD, REMOVE THE TOP SHELTER (4I) BY GRASPING UNDER THE REAR AND PULLING SHARPLY UPWARDS AND TO THE REAR.

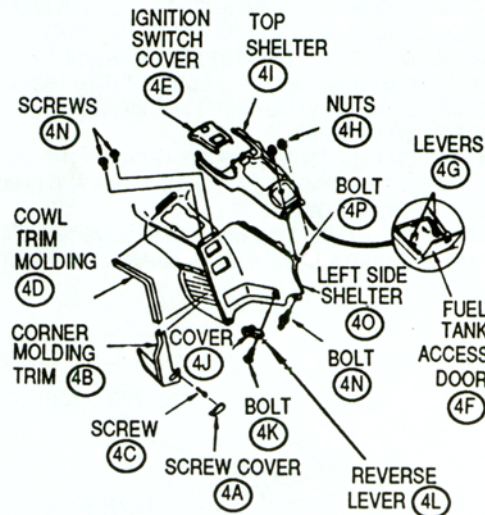


FIGURE #4

- L. PULL THE REVERSE LEVER COVER (4J) OUTWARDS AT THE REAR. PIVOT TO EXPOSE THE SOCKET BOLT (4K). USING A 6MM HEX ALLEN WRENCH REMOVE THE SOCKET BOLT (4K) AND REMOVE THE REVERSE LEVER (4L) FROM THE CYCLE.
- M. USING A #2 MEDIUM PHILLIPS SCREWDRIVER, REMOVE THE TWO SCREWS (4M) AT THE TOP FRONT OF THE LEFT SIDE SHELTER. USING A 10MM WRENCH, REMOVE THE SPECIAL BOLT (4N) AT THE BOTTOM REAR OF THE LEFT SIDE SHELTER. REMOVE THE LEFT SIDE SHELTER (4O) BY LIFTING UP AND OVER THE BOLT (4P) AT THE TOP REAR CORNER.

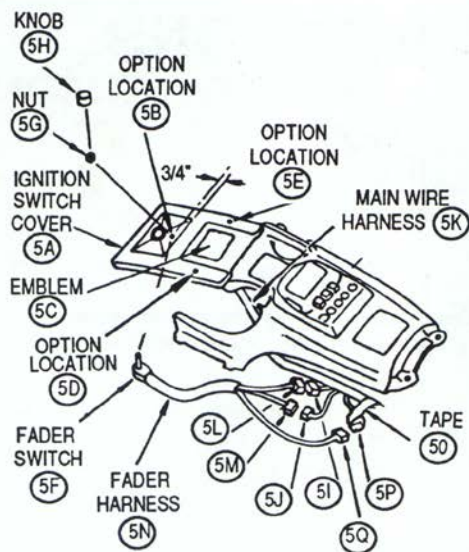


FIGURE #5

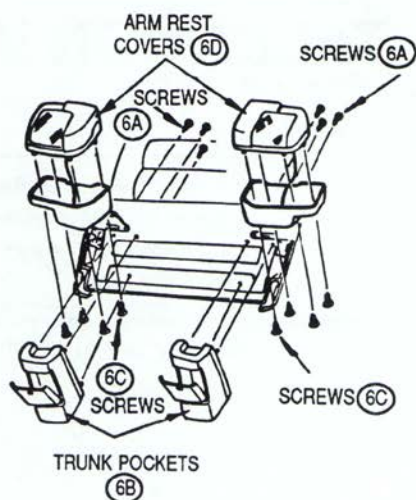


FIGURE #6

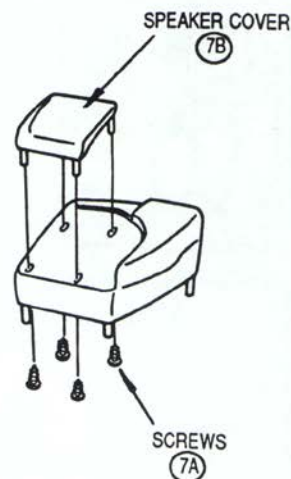


FIGURE #7

2. USING THE CENTER PUNCH AND HAMMER, MARK THE FADER SWITCH MOUNTING HOLE LOCATION ON THE IGNITION SWITCH COVER (5A). YOU MAY CHOOSE ONE OF THREE POSSIBLE LOCATIONS AS FOLLOWS:

- A. CENTERED IN THE SWITCH RECESS AREA (5B) ABOUT $\frac{3}{4}$ INCHES FROM THE BACK EDGE OF THE RECESS.
- B. CENTERED AND IN LINE WITH THE BL1500 EMBLEM (5C) ON EITHER LEFT (5D) OR RIGHT (5E) SIDE. **NOTE: CHECK UNDERNEATH FOR INTERFERENCE OR OBSTRUCTIONS PRIOR TO LOCATING THE HOLE.**

3. USING AN ELECTRIC DRILL AND 9-32 INCH DRILL BIT, DRILL THE MOUNTING HOLE THROUGH THE IGNITION SWITCH COVER (5A). MOUNT THE FADER SWITCH (5F) WITH THE NUT (5G) ON TOP AND TIGHTEN SECURELY WITH A 10MM WRENCH. PUSH THE FADER SWITCH CHROMED KNOB (5H) IN PLACE ONTO THE SWITCH.

4. DISCONNECT THE WHITE 4 PIN CONNECTORS (5I) & (5J) ON THE MAIN WIRING HARNESS (5K) LOCATED UNDER THE LEFT SIDE SHELTER. RECONNECT THESE CONNECTORS (5I) & (5J) TO THE MALE AND FEMALE WHITE 4 PIN CONNECTORS (5L) & (5M) ON THE FADER WIRING HARNESS (5N). REMOVE THE TAPE (5O) HOLDING THE UNUSED BLACK 4 PIN CONNECTOR (5P) ON THE MAIN HARNESS AND CONNECT IT TO THE BLACK 4 PIN CONNECTOR (5Q) ON THE FADER WIRING HARNESS.

5. REMOVE THE FOLLOWING ITEMS:

- A. USING A #2 MEDIUM PHILLIPS SCREWDRIVER, REMOVE THE SIX MOUNTING SCREWS (6A) LOCATED INSIDE OF THE TRUNK AND REMOVE THE LEFT AND RIGHT TRUNK POCKETS (6B).
- B. USING A #2 MEDIUM PHILLIPS SCREWDRIVER, REMOVE THE EIGHT MOUNTING SCREWS (6C) AND BOTH LEFT AND RIGHT ARM REST COVER ASSEMBLIES (6D).
- C. USING A #2 MEDIUM PHILLIPS SCREWDRIVER, REMOVE THE EIGHT MOUNTING SCREWS (7A) AND BOTH ARMREST SPEAKER COVERS (7B).

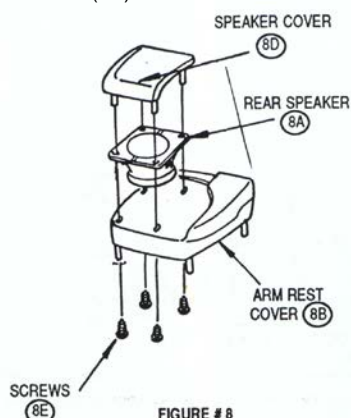


FIGURE #8

6. PLACE THE LEFT & RIGHT REAR SPEAKERS (8A) INTO THE ARMREST COVERS CAVITY (8B), REATTACH THE SPEAKER COVERS (8D).

7. INSTALL THE REAR SPEAKER WIRING HARNESS (9A) AS FOLLOWS:

- A. THE TERMINAL END WITH THE BROWN/WHITE (9B) AND RED/YELLOW (9C) WIRES GOES INTO THE LEFT ARMREST (9D).
- B. THE TERMINAL END WITH THE YELLOW (9E) AND BROWN (9F) WIRES GOES INTO THE RIGHT ARMREST (9G).
- C. THE BLACK 4 PIN CONNECTOR (9H) IS CONNECTED TO THE BLACK 4 PIN CONNECTOR (9I) LOCATED IN THE BLACK RUBBER BOOT (9J) ON THE MAIN WIRING HARNESS IN THE UNDER SEAT AREA NEAR THE LARGE WHITE 24 PIN CONNECTOR.
- D. THE WIRE HARNESS (9A) IS RUN UNDER THE FRONT LOWER EDGE OF THE TRUNK (9K).

8. CONNECT THE REAR SPEAKERS TO THE WIRING HARNESS MAKING CERTAIN SUFFICIENT SLACK IS AVAILABLE TO OPEN AND CLOSE THE TRUNK WITHOUT UNDUE PRESSURE ON THE CONNECTORS.

9. RE-INSTALL THE ARMREST COVER ASSEMBLIES (BEING CAREFUL NOT TO PINCH THE WIRING HARNESS) AND THE TRUNK POCKET COVER BY REVERSING STEPS 5A AND 5B.

10. OPERATE THE RADIO AND FADER TO MAKE CERTAIN THE SYSTEM WORKS PROPERLY.

11. RE-INSTALL ALL THE OTHER REMOVED ITEMS BY REVERSING STEPS 1A THROUGH 1M.

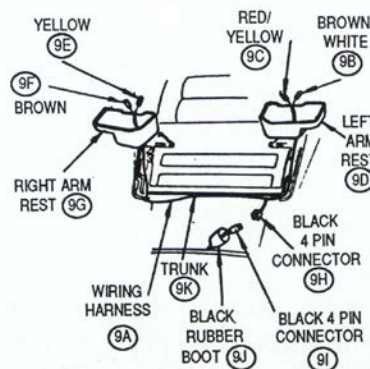


FIGURE #9